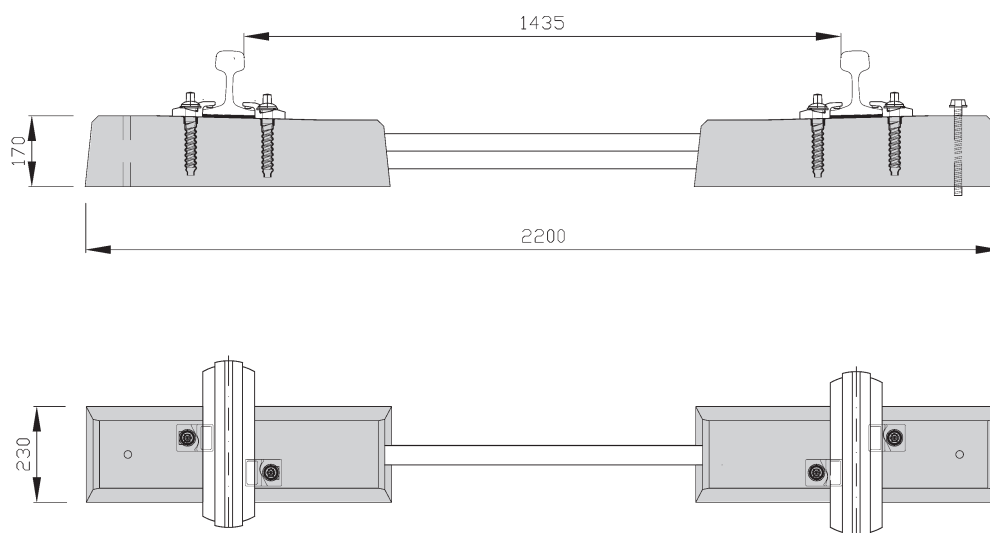


BiBlock Sleeper VLS 220 BB



All dimensions in mm

Field of application:	Urban Transit
Permissible wheel set load:	Depending on the system
Rail inclination:	1:40 / 1:∞
Track gauge:	1435 mm
Rail fastening system:	Clip plates
Rail:	49 E 1 / 54 E 3 rail foot width 125 mm 59 Ri 2 / 60 Ri 1 / RiPh37A rail foot width 180 mm
Weight:	With rail fastening system, approx. 120 kg
Produced according to	DIN EN 13230-3